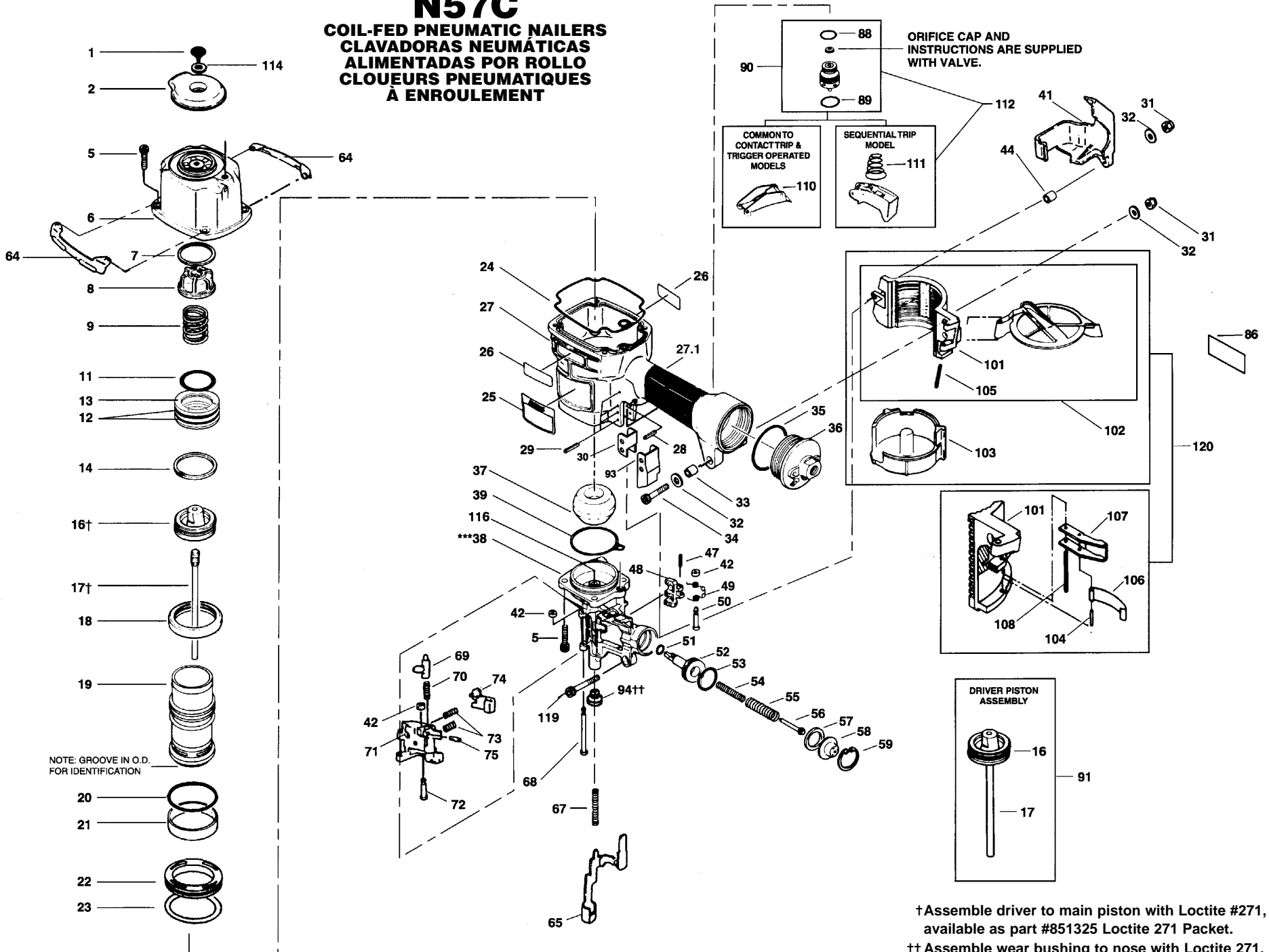


N57C

COIL-FED PNEUMATIC NAILERS
CLAVADORAS NEUMÁTICAS
ALIMENTADAS POR ROLLO
CLOUEURS PNEUMATIQUES
À ENROULEMENT



NOTE: GROOVE IN O.D.
FOR IDENTIFICATION

† Assemble driver to main piston with Loctite #271,
available as part #851325 Loctite 271 Packet.
 †† Assemble wear bushing to nose with Loctite 271,
available as part # 851325 Loctite 271 Packet.
 *** Includes Item #94