

Pneumatic Nailer Type 700 DC

The BeA 700 DC is a compact but powerful tool. This tool is excellent for applications requiring speed. The tool is so powerful that ring shank nails will countersink even into hardwood. The 700 DC drives wire welded nails with diameter 2,2 to 2,8 in the length from 45 to 70 mm. The comfortable rubber grip and the adjustable exhaust makes the tool operator friendly.



Popular applications:

Siding, pallets, cases, sheathing, sub flooring, House construction.

Length: 332 mm
Width: 140 mm
Height: 305 mm

Technical data

| | |
|---|--|
| Type description: | 700 DC Contact |
| Article code: | 12100014 |
| Magazine type : | Coil magazine / top loader |
| Safety: | Contact actuation |
| Fastener type: | BDC |
| Magazine capacity: | 1 coil |
| Nails per Coil: | Ø 2,2 and Ø 2,5 = 1 x 300 Ø 2,8 = 1 x 250 |
| Operating pressure: | 5 – 8 bar |
| Max. operating pressure: | 8 bar |
| Air consumption/operation: | 1,8 litres / 6 bar |
| Inner hose diameter: | Ø 9 mm LW recommended |
| Emission sound pressure level at the workstation: | L pA, 1s, d= 91 dB |
| Single-shot emission sound pressure level: | L WA, 1 s,d=100 dB |
| Weight: | 3,57 kg |

The vibration as per document no. CEN/TC 255 WG 1 N 47.3 is 3,34 m/s²

Extras supplied with the nailer:

Operating instructions, spare parts list, service instructions, silencer.

Subject to technical modifications.

Accessories:

| Article code | Description |
|--------------|---|
| 14405421 | Nail support, steel |
| 14500531 | Single actuation set |
| 14500573 | Remote valve |
| 14403435 | Remote valve (only in combination with mounting flange) |
| 14403547 | Mounting flange |
| 14500548 | Silencer set |

All BeA pneumatic tools can be jig-mounted
We supply the necessary accessories and equipments.



This tool conforms to the EG Directive
for Machinery (89/392 EWG)

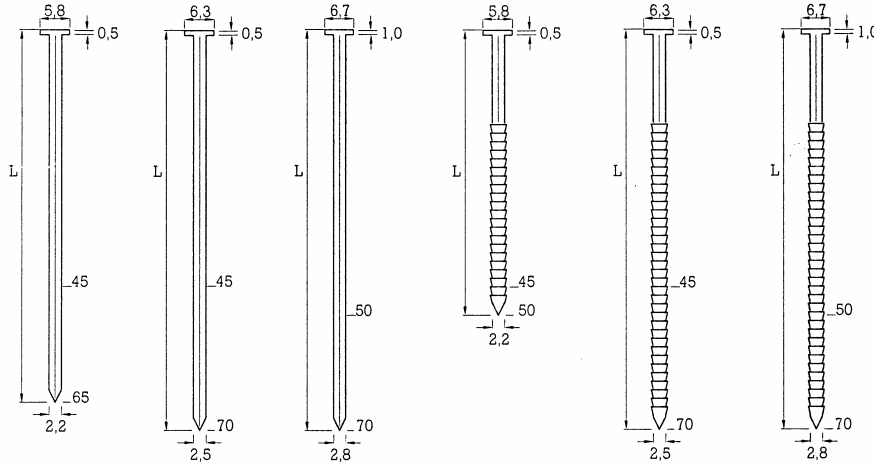
Pneumatic Nailer Type 700 DC



BeA Deutschland
Befestigungstechnik
P.O.Box 14 80
D-22904 Ahrensburg
Phone: +49 (0) 4102 78-0
Fax: +49 (0) 4102 78-250
www.bea-group.com
e-mail: info@bea-group.com

a division of
Joh. Friedrich Behrens AG

BDC – nails (wire welded nails)



| Description | L = Length mm |
|-----------------|------------------|
| BDC 2,2 x 45 BK | 45 |
| BDC 2,2 x 50 BK | 50 |
| BDC 2,2 x 55 BK | 55 |

| | |
|-----------------|----|
| BDC 2,5 x 45 BK | 45 |
| BDC 2,5 x 60 BK | 60 |
| BDC 2,5 x 65 BK | 65 |
| BDC 2,5 x 70 BK | 70 |

| | |
|-----------------|----|
| BDC 2,8 x 60 BK | 60 |
| BDC 2,8 x 65 BK | 65 |
| BDC 2,8 x 70 BK | 70 |

Nails are also available in NK (galvanized steel), NR (stainless steel) and with ring shank on request.

Explanations:

| | | | |
|------------------------------------|--------------------------------|--|----------------------|
| NK = galvanized steel | BK = bright steel | LM = aluminium | HZ = resin coated |
| NKS = galvanized steel, extra hard | BKS = bright steel, extra hard | NR = stainless steel, material. 1.4401 | DP = divergent point |
| NKH = galvanized steel, hard | MS = brass | RF = rust resistant, material 1.4301 | SA = step cut |